



MULTI
FENDER

...THE OPTIMAL WAY
TO PROTECT A YACHT

CARBON
FIBRE

0% CORROSION
100% LIGHTWEIGHT

PROTECTED SYSTEM
BY MULTIPLEX GMBH

multi**plex**

...THE MULTIFENDER – INDIVIDUAL, TAILOR-MADE SOLUTIONS FOR YOUR YACHT

Based on the multifender modular component system, all multifender systems are produced according to individual requirements. This means that we tailor the multifender to all imaginable conditions so that it can be used in absolutely every location. The length and number of bumpers used is determined in line with individual requirements. To calculate this, we need to know the height between the top of the platform and the waterline, together with the height of the gunwale on the vessel in question. The placement of the articulated link, as well as the fender base itself, is then calculated using the expected final dead weight of the vessel. With responsible utilization, the multirollers are basically designed for vessels weighing up to 12 tonnes. With this degree of flexibility, our multifenders – including the fastening systems – are fully customisable for your individual needs.





MULTI FENDER

- LIGHTWEIGHT, HIGH-QUALITY MATERIAL
- SELECT THE LENGTH AND THE WIDTH NEEDED
- SELECT YOUR FAVOURITE COLOUR
- 100 % CARBON FIBRE
- QUICK-LOCK SYSTEM FOR EASY INSTALLATION
- FEMALE FITTINGS INCL.
- AVAILABLE WITH MANY OPTIONS

YOUR OWN MULTIFENDER

- MULTIFENDER PREMIUM** · SIZE: 1-5
- HEIGHT: 460 MM (SIZE 1) – 2,300 MM (SIZE 5)
 - WIDTH: 220 MM
 - WEIGHT: 13 KG (SIZE 1) – 29 KG (SIZE 5)

- MULTIFENDER PRIME** · SIZE: 1-5
- HEIGHT: 460 MM (SIZE 1) – 2,300 MM (SIZE 5)
 - WIDTH: 220 MM
 - WEIGHT: 9 KG (SIZE 1) – 24 KG (SIZE 5)

- MULTIFENDER CLASSIC**
- HEIGHT: UP TO 5,000 MM
 - WIDTH: 220 MM
 - WEIGHT: 4.4 KG PER METRE

COLOUR OF YOUR CHOICE

HANDLE

NOMEN-CLEAT

STORAGE BAG
COLOUR OF YOUR CHOICE



PREMIUM

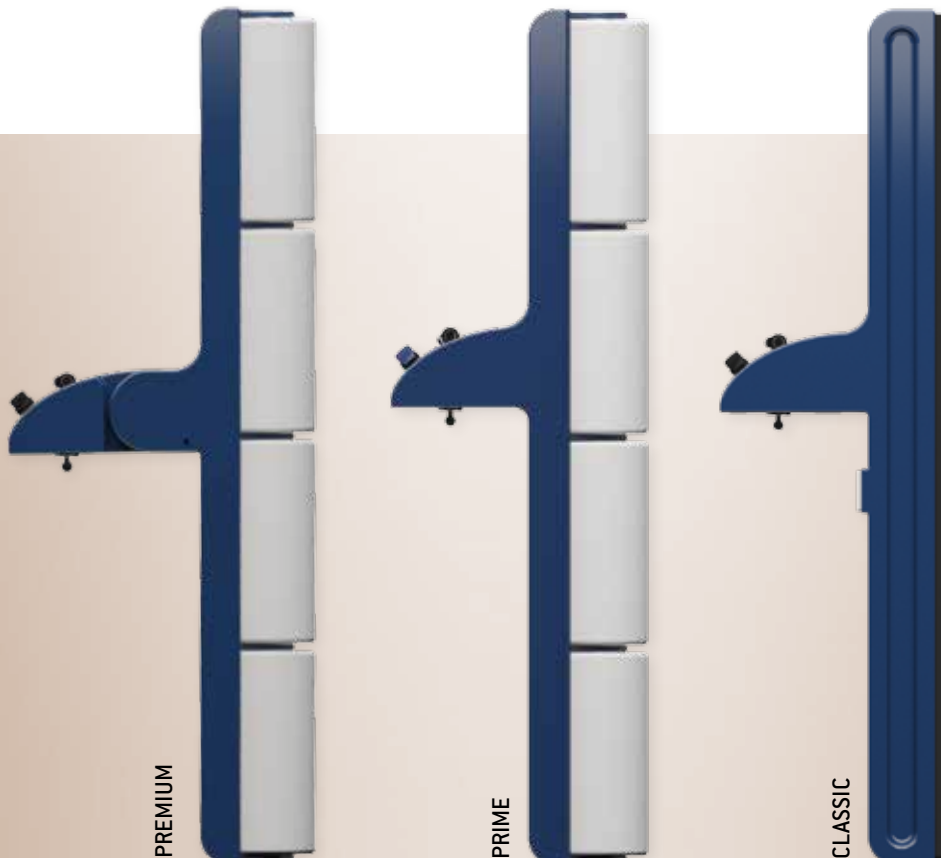


PRIME



CLASSIC

PRODUCTION PERIOD:
10 WEEKS



PREMIUM

PRIME

CLASSIC

3x

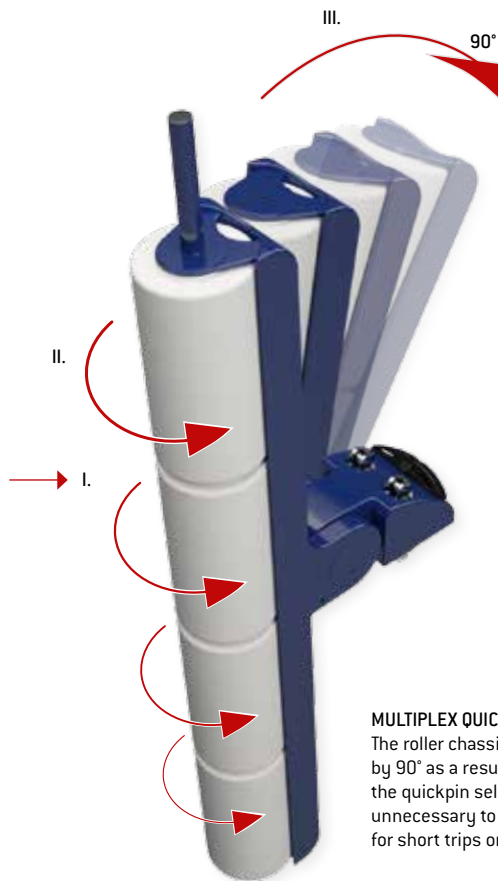
SHOCK-ABSORBING PROPERTIES

PU FOAM SURFACE
SEAWATER-RESISTANT
FOAM CORE

SINGLE FENDER ROLLERS
SHOCK-ABSORBING ROLLERS

INTEGRATED SHOCK ABSORBER
SHOCK ABSORBENT PIVOTING FENDER CHASSIS

5 SIZES
PLACEMENT OF THE
CUSTOMISABLE BRACKET POSITION

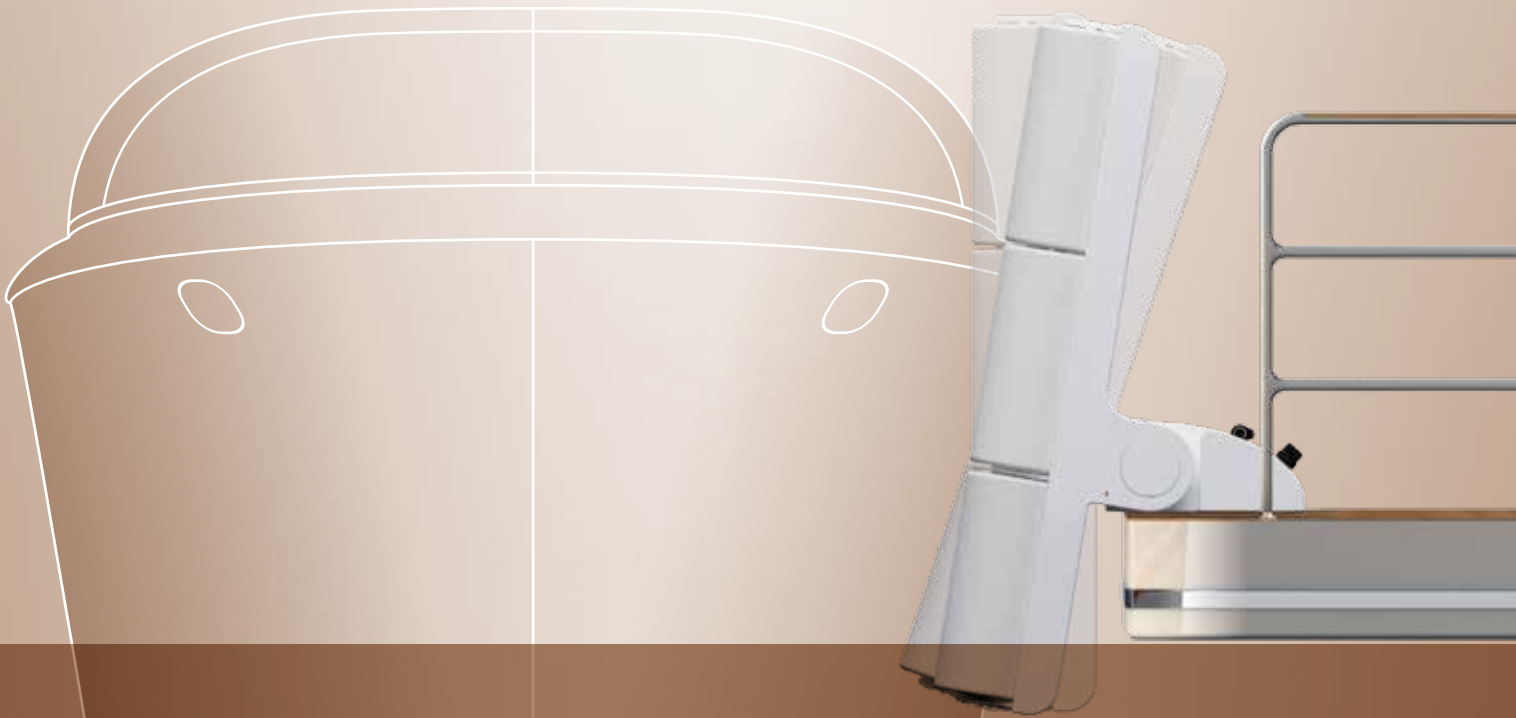


MULTIPLEX QUICKPIN
The roller chassis can pivot horizontally by 90° as a result of the simple action of the quickpin self-locking bolts. It is therefore unnecessary to dismantle and store fenders for short trips or simple manoeuvres.



MULTIROLLER PREMIUM

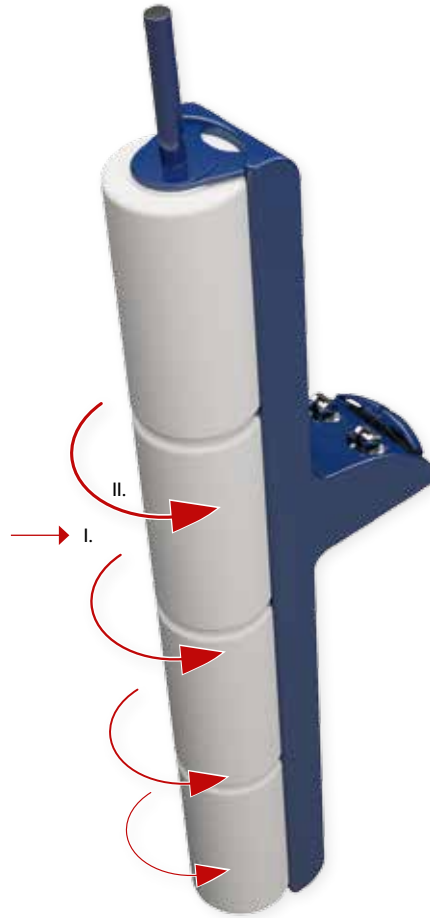
- FOR TENDERS UP TO 12 T
- 100 % CARBON BASE MATERIAL
- TAILOR-MADE TO INDIVIDUAL REQUIREMENTS
- AVAILABLE IN LENGTHS UP TO 2.5 M
- FENDERS AVAILABLE IN WEIGHTS OF 13 KG AND UPWARDS
- QUICK-LOCK SYSTEM FOR EASY INSTALLATION
- FEMALE FITTINGS INCL.
- AVAILABLE WITH MANY OPTIONS





MULTIROLLER PRIME

- FOR TENDERS UP TO 7 T
- 100 % CARBON BASE MATERIAL
- TAILOR-MADE TO INDIVIDUAL REQUIREMENTS
- AVAILABLE IN LENGTHS UP TO 2.5 M
- MINIMUM WEIGHT 9.0 KG
- QUICK-LOCK SYSTEM FOR EASY INSTALLATION
- FEMALE FITTINGS INCL.
- AVAILABLE WITH MANY OPTIONS



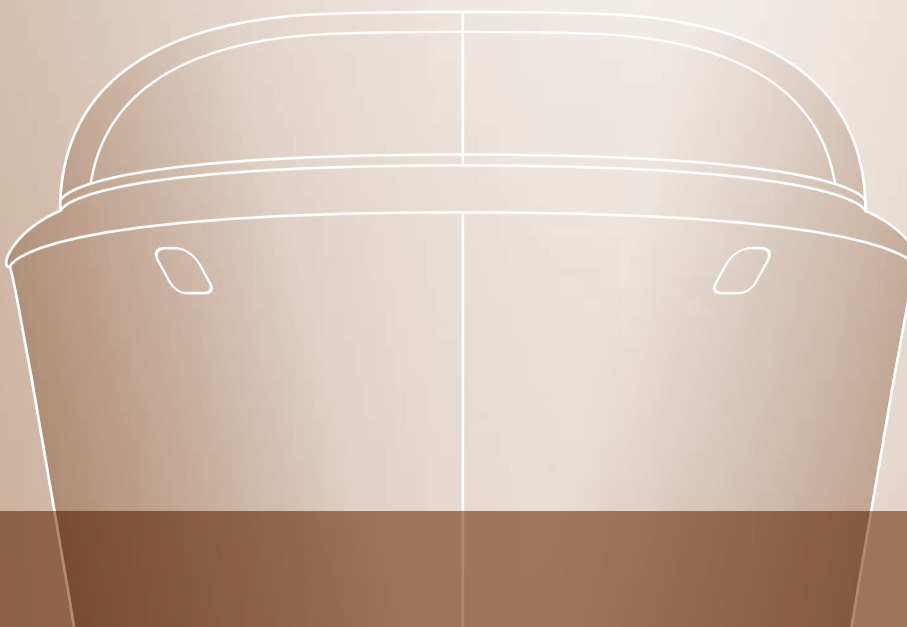
2x

SHOCK-ABSORBING
PROPERTIES

PU FOAM SURFACE
SEAWATER-
RESISTANT
FOAM CORE

SINGLE
FENDER ROLLERS
SHOCK ABSORBING
ROLLERS

5 SIZES
PLACEMENT
OF THE
CUSTOMISABLE
BRACKET POSITION





MULTIFENDER CLASSIC

- FOR TENDERS UP TO 4 T
- 100 % CARBON BASE MATERIAL
- TAILOR-MADE TO INDIVIDUAL REQUIREMENTS
- CUSTOMISABLE LENGTHS
- MINIMUM WEIGHT (STARTS WITH 4,50 KG/M)
- QUICK-LOCK SYSTEM FOR EASY INSTALLATION
- FEMALE FITTINGS INCL.
- AVAILABLE WITH MANY OPTIONS

1.



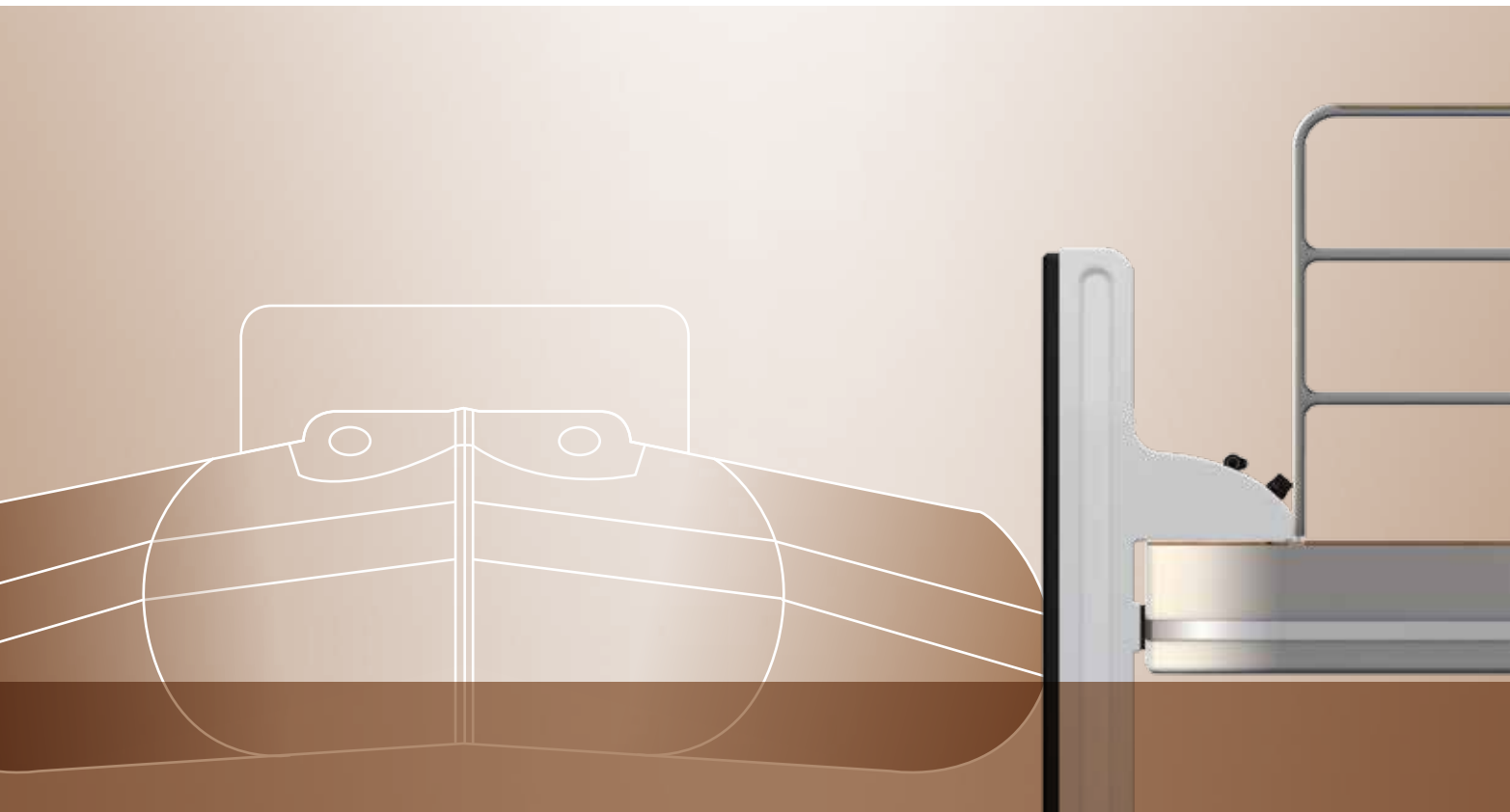
1x

SHOCK-ABSORBING PROPERTIES

PU FOAM SURFACE
SEAWATER-RESISTANT
FOAM CORE

AVAILABLE IN ALL SIZES
PLACEMENT OF THE
CUSTOMISABLE BRACKET POSITION

Kindly let us know your requirements regarding dimensions and other miscellaneous information, so that we can prepare an offer for a product customised to your specific needs. This ensures that the desired product is manufactured and delivered to your individual specifications.



...EASY INSTALLATION FOR ALL FENDER TYPES WITH THE MULTIPLEX QUICK-LOCK SYSTEM

I. Make sure that the male fittings of the quick-locks are aligned as shown in the following diagram. When facing the roller, the larger side of the excenters needs to point towards the right hand side, also shown in the following picture.

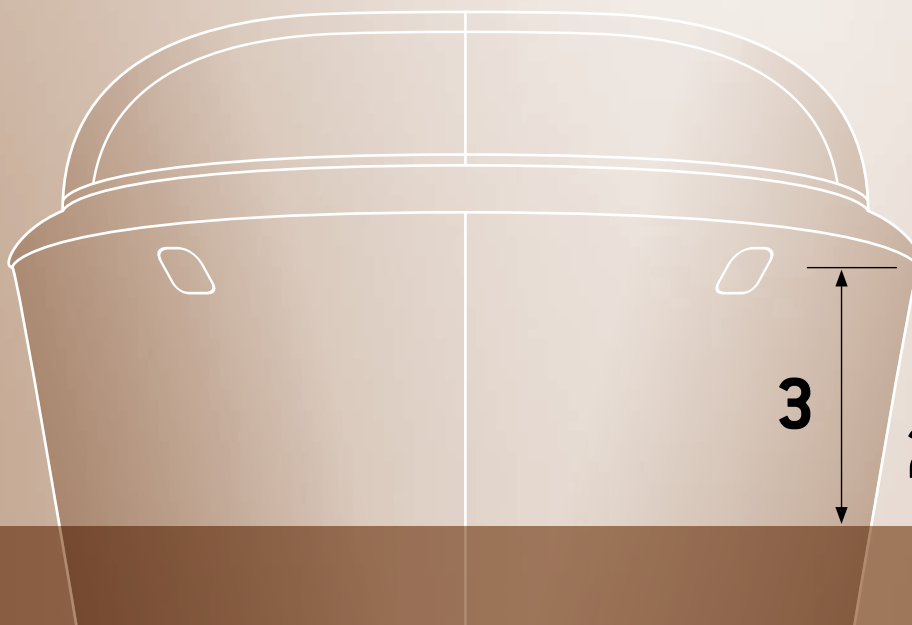
II. Turn the locks 90° clockwise up to the catch. Attach the handle supplied and push it down until it reaches a horizontal position as shown in the next picture.

III. It should only take gentle pressure to bring the handle into a horizontal position. In the rare case that more force is needed, or the quick-lock does not tension properly, the lock needs to be adjusted prior to using for the first time. the next picture.

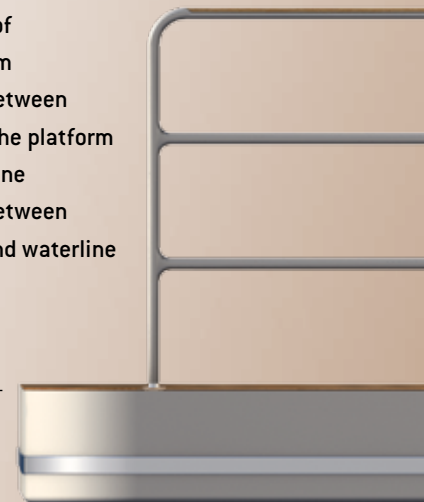
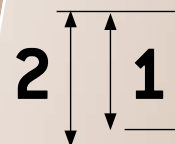


For rapid installation on board the yacht structure, the multi-rollers are equipped with the well-proven multiplex quick-lock system as standard. The mechanics involve a bayonet lock function, which offers the highest level of safety in seconds with the aid of an eccentric cam. Rapid, safe and easy.

3 FACTORS FOR A PERFECT SOLUTION...



1. Thickness of the platform
2. Distance between the top of the platform and waterline
3. Distance between gunwale and waterline



WATERLINE

DETAILS FOR YOUR MULTIFENDER SYSTEM!



HANDLE



WOMEN CLEAT



MIRROR-POLISHED FEMALE FITTING
MADE OF STAINLESS STEEL



STORAGE BAG



QUICK-LOCK SYSTEM



SPARE PARTS AND TOOLS



... ASK ABOUT OUR OTHER CUSTOMISED SOLUTIONS!